

前言(DHS) Introduction to the Dynamic Hip Screw (Orthmed)

奥斯迈动力髌螺钉的设计为各类股骨近端骨折提供了坚强稳定的内固定方法,同时减少了对软组织的干扰。

The Orthmed Dynamic Hip Screw is designed to provide strong and stable internal fixation of a variety of proximal femoral fractures, with minimal soft tissue irritation.

● 坚强

Strong

奥斯迈DHS选用00Cr18Ni14Mo3不锈钢材料或TA2纯钛材料制造。

The Orthmed DHS Plates are made of 00Cr18Ni14Mo3 stainless steel or TA2 pure titanium.

● 稳定

Stable

在保持接骨板强度的前提下,最大化接骨板钉孔的数目,在有限切口范围内提供更多的固定点。

The number of screw holes per plate length is maximized, without compromising plate strength. This allows an increased number of fixation points with a smaller incision.

● DCP 钉孔的设计

DCP (Dynamic Compression Plate) holes in the DHS side plate

- 允许皮质骨螺钉成角固定于内侧皮质。
- allow angulation of 4.5 mm Cortex Screws, for lag screw fixation of medial fragments, and
- 对于转子下骨折的主要骨折块具有轴向压缩力和允许多点固定。
- allow axial compression and multiple-screw fixation of the main fragment in subtrochanteric fracture.

● DHS接骨板套筒内侧的两面设计与拉力螺钉的两面设计匹配,避免了拉力螺钉在套筒内的旋转,同时便于拉力螺钉的打入。

Two flats within the DHS Plate barrel correspond to the two-flat design of the DHS Lag Screw, preventing rotation of the lag screw within the barrel. The two-flat design also eases insertion of the plate over the DHS Lag Screw.

前言(DHS) (续)

Introduction to the Dynamic Hip Screw (Orthmed) (CONTINUED)

● 减少软组织的干扰

Minimal Soft Tissue Irritation

钢板为低切迹设计,减少了股骨大转子部位滑囊炎发生的机率。

The DHS Plates have a low-profile design, reducing the risk of trochanteric bursitis.

奥斯迈DHS接骨板有多种长度可供选择,以适应不同的临床需要。

The DHS Plates are available in a wide range of sizes for varied clinical situations.

DHS拉力螺钉长度从50mm到110mm,规格齐全,配合套筒使用可提供骨折块之间所需的压缩力。如术中需额外的压缩力,可使用拉紧螺钉。

The DHS Lag Screw, available from 50mm to 110mm lengths, easily glides within the DHS Plate barrel for impaction of fragments. When the fracture requires additional intraoperative compression, the DHS Compression Screw can be used.

配套工具使用简便且准确。

The DHS instruments provide direct measurements throughout the DHS procedure, allowing proper reaming, tapping and lag screw insertion depth.

DHS适应症 Indications (DHS)

DHS适用于下列股骨近端骨折:

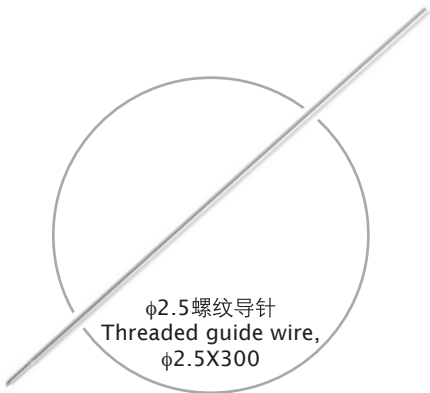
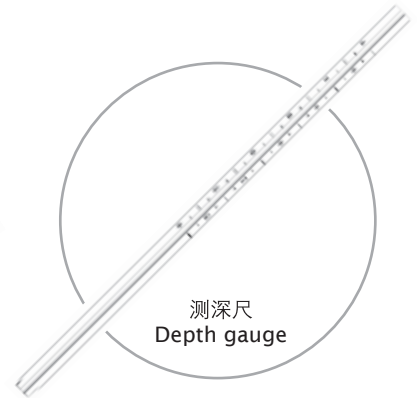
The DHS is indicated for the following fractures of the proximal femur:

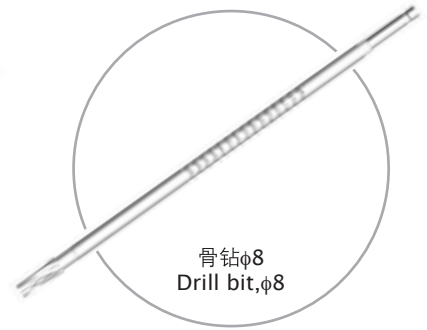
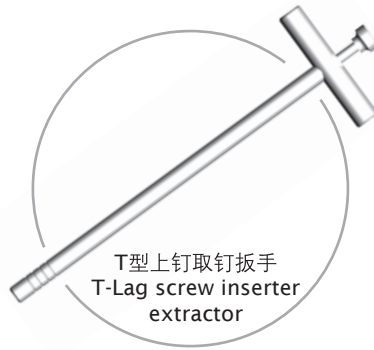
- 股骨转子间骨折
Intertrochanteric fractures
- 股骨转子下骨折
Subtrochanteric fractures*
- 股骨颈基底部骨折
Basilar neck fractures

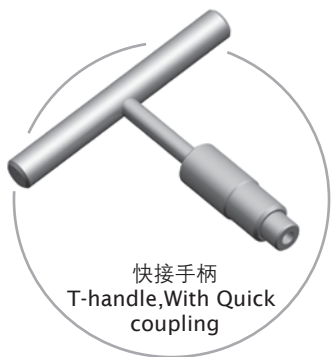
DHS适用于上述稳定型骨折以及可用内固定重建的不稳定型骨折。DHS可提供骨折块之间所需的纵向、滑动加压力以及控制塌陷，达到坚强固定和减少钢板过度应力集中。

The DHS is indicated for stable fractures, and unstable fractures in which a stable medial buttress can be reconstructed. The DHS provides controlled collapse and compression of fracture fragments. This results in stable fixation and prevents undue stress concentration on the implant.

工具
Instruments







植入物
Implants

