

前言 INTRODUCTION

ORTHMED[®]股骨交锁髓内钉系统非常适合于治疗股骨干骨折,无论骨折的严重程度,只要小转子保持完整,小转子至髌上部位骨折都适用。开放性骨折通常需要采取别的处理方法,外固定支架可能更合适。

ORTHMED[®] Femoral Nail System is best suited to fractures in the diaphyseal region, but where necessary, can be used for fractures situated in the region extending from just below the intact lesser trochanter to just above the supracondylar region. The procedure is applicable to any fracture within these boundaries, whatever the degree of comminution. Open fractures often require a different management, and an external fixator may be considered more appropriate in some instances.

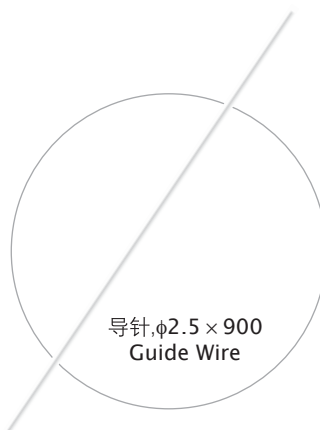
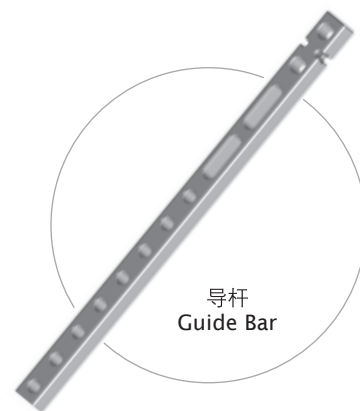
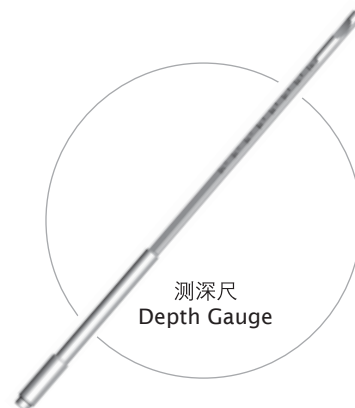
适应症 INDICATIONS

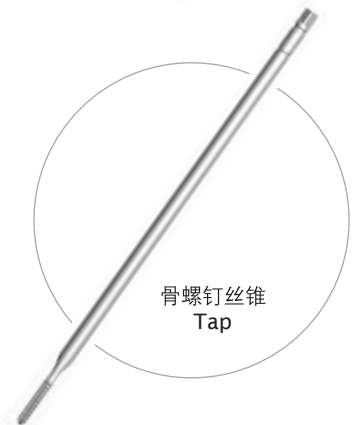
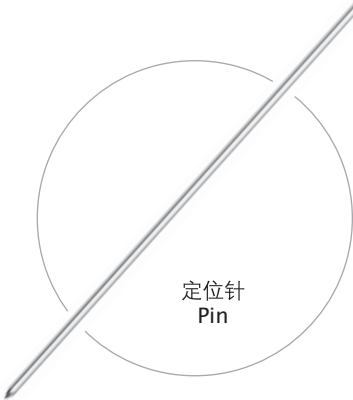
股骨交锁髓内钉的适应证包括:

The indications for intramedullary locked nailing include:

- 创伤骨折
Traumatic fractures
- 病理性骨折
Pathological fractures
- 股骨再骨折
Re-fractures
- 骨不连
Non-unions
- 重建矫形外科
Reconstructive surgery

工具
INSTRUMENTS







骨钻,φ6
Drill Bit,φ6



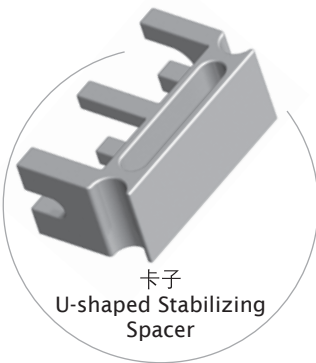
骨钻,φ4
Drill Bit,φ4



骨钻限位套
Drill Stop



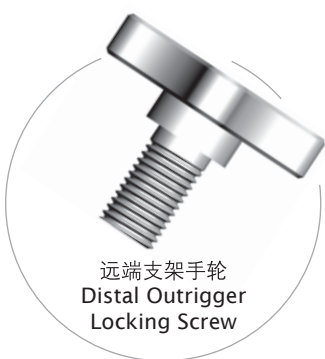
护皮板
Soft Tissue Protector



卡子
U-shaped Stabilizing
Spacer



快接手柄
Quick Connect
Handle



远端支架手轮
Distal Outrigger
Locking Screw



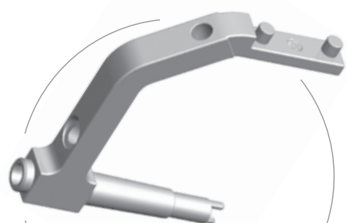
钻套,φ8/φ4
Drill Guide,φ8/φ4



螺钉套,φ10/φ8
Screw Guide,φ10/φ8



钻套,φ8/φ6
Drill Guide,φ8/φ6



手柄
Nail Support
Handle



软扩髓钻杆
Flexible Shaft



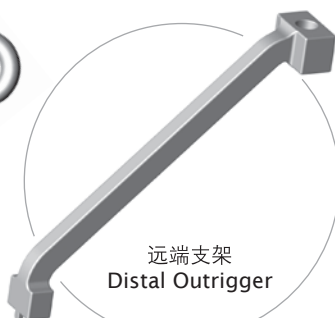
导针, φ3X900
Guide Wire, φ3X900



软组织保护器
Obturator



髓腔开孔器
Pointed Awl



远端支架
Distal Outrigger



远端支架手轮
Distal Outrigger
Locking Screw



送针器
Gripper



拔出器手柄
Screw Adapter



扩髓钻头
Flexible Reamer Head



球头导针, φ3X900
Guide Wire with
Olive, φ3X900

植入物
IMPLANTS

