

前言 INTRODUCTION

ORTHMED®标准伽玛型带锁髓内钉系统是为股骨近端的不稳定的复杂骨折而设计,特别是对于粗隆间及粗隆下骨折,它结合了交锁髓内钉和髋部螺钉系统的特点,这套系统可以保证解剖复位及牢固固定股骨头及颈部,提供有效的防旋转稳定性。ORTHMED®标准伽玛型带锁髓内钉系统可以用于多种股骨近端骨折,例如:粗隆下骨折;粗隆间骨折;骨不连等。

The ORTHMED® Standard Gamma Locking Nail System is designed to treat unstable, comminuted, proximal fractures of the femur, specifically, the Intertrochanteric and Subtrochanteric regions, thereby combining many of the features of an intramedullary nail and hip screw system. The implant supports the anatomic reduction and internal fixation of the femoral head and neck and provides anti-rotational stability for many difficult fracture situations. The ORTHMED® Standard Gamma Locking Nail System is indicated for use in a variety of proximal femoral fractures, such as: 1)Subtrochanteric; 2)Fractures Intertrochanteric Fractures; 3)Nonunions

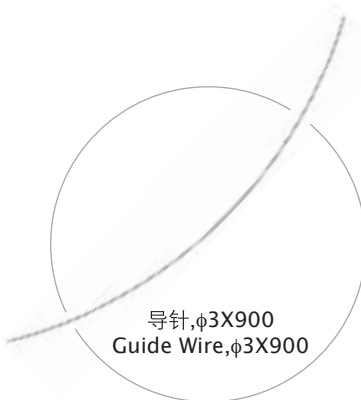
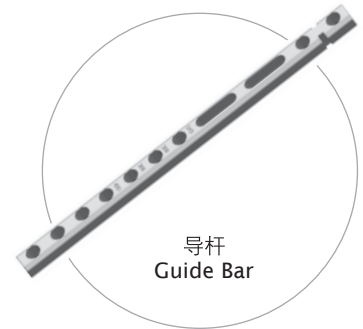
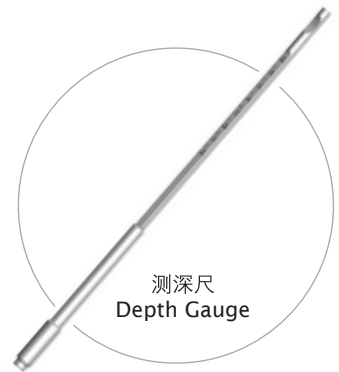
ORTHMED®标准伽玛型带锁髓内钉系统的特点是两枚7.5mm拉力螺钉设计,从而在处理骨折时对股骨颈提供有效的防旋转稳定性。

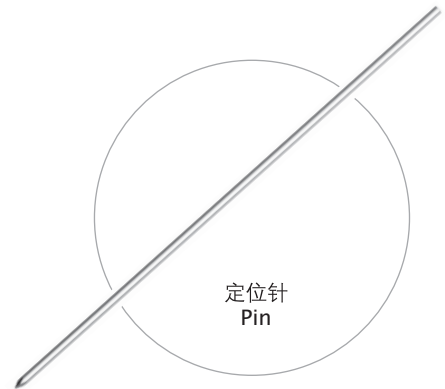
The ORTHMED® Standard Gamma Locking Nail System features two 7.5mm Lag Screws, to help stabilize neck fracture settlement.

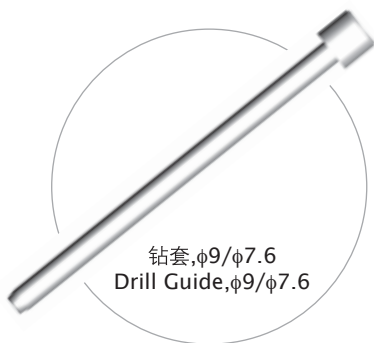
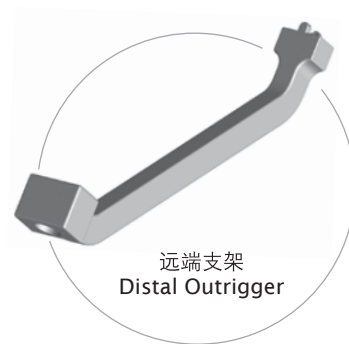
ORTHMED®标准伽玛型带锁髓内钉采用高强度不锈钢和钛合金制造,有9mm至12mm多种直径,240mm一种长度,以满足手术需要,并减少库存。拉力螺钉的颈干角设计为130°,适合大多数患者的股骨颈角度。

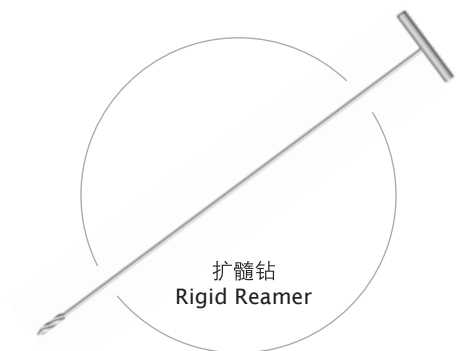
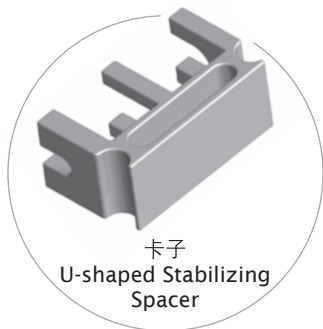
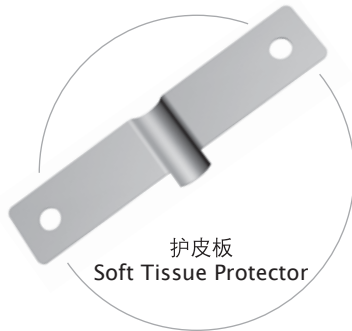
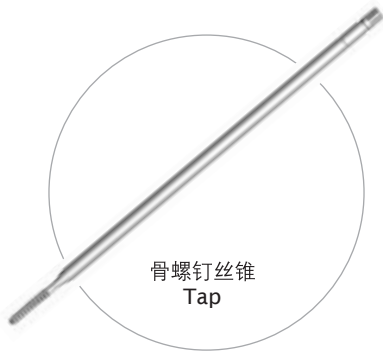
Manufactured from high strength stainless steel and Titanium alloy, the ORTHMED® Gamma Standard Locking Nail implants are available in a wide range of diameters from 9mm to 12mm, and only 240mm long length to accommodate total joint prostheses, while minimizing inventory requirements. The ORTHMED Lag Screw has a 130° neck-shaft angle, which is the angle that most closely resembles the majority of femoral neck angles.

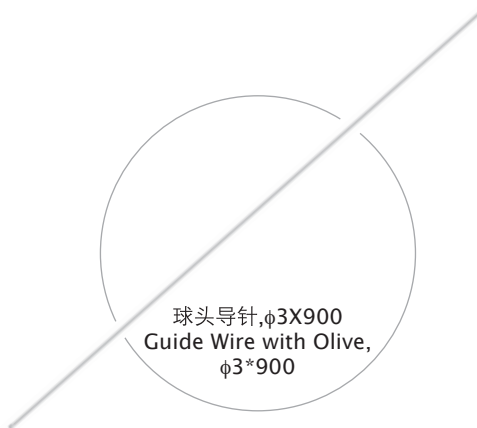
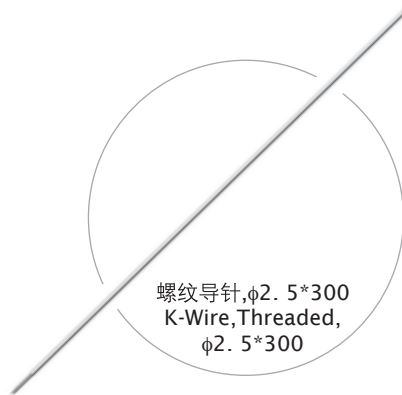
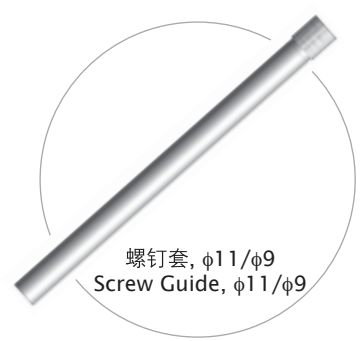
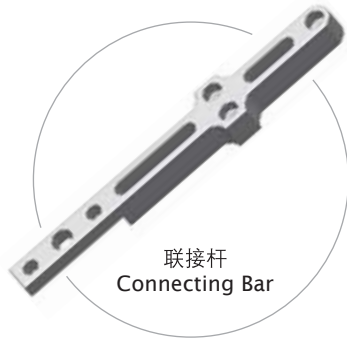
工具
INSTRUMENTS











植入物
IMPLANTS



